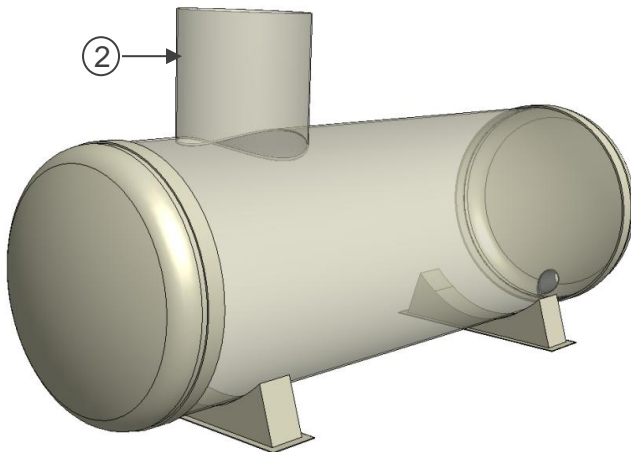


PEAK FLOW STORAGE TANK

Characteristics

- Fibreglass reinforced polyester (FRP)
- High mechanical strength
- From 10 to 75m³ / Ø1000 to Ø2800
- Standard or custom
- Rust-proof, corrosion-proof
- Adaptable to all types of terrain (shallow aquifer, green space, mud slab, below ground)
- Underground or above ground, horizontal or vertical solution
- Several tanks can be joined together
- Lightweight material to facilitate handling and installation, modular configuration
- Installation above ground : TopCoat finish protects from external Aggressions
- Anchored by straps of FRP cradles

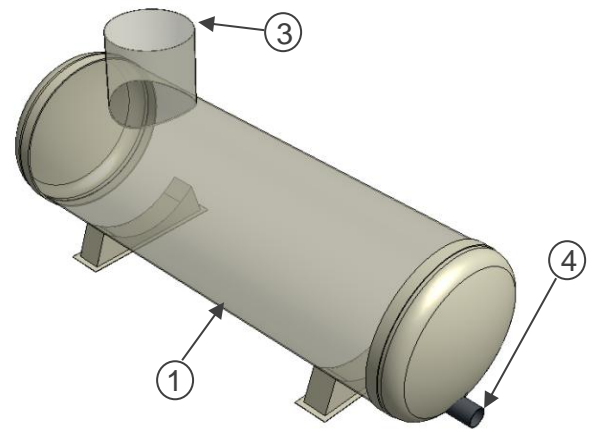


Function

Allows time to set up a backup solution if lift station pumps fail

Wastewater is collected in the storage tank upstream of the pumping station

Storage of 2 « population equivalent » hours
Wastewater discharged in the sewer system



- (1) Storage tank
- (2) Access hatch (manhole) with or without extension
- (3) Access hatch cover of permanent formwork / fall protection system
- (4) Wastewater inlet (bar screen required upstream to prevent clogging of the tank)
- (5) Water is released at a controlled flow rate into the public sewer system (sloping ground for better evacuation)

Application

- Sewer system

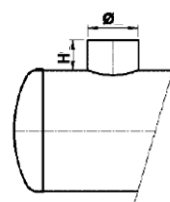
Standard tank dimensions

Volume (L)	Total length according to Ø and volume					Tank reference according to Ø and volume				
	Ø1200	Ø1400	Ø1600	Ø2000	Ø2800	Ø1200	Ø1400	Ø1600	Ø2000	Ø2800
10000	9,03	6,70				9512100	9514100			
11000		7,35	5,71	3,79			9514110	9516110	9520110	
12000		8,00	6,20	4,11			9514120	9516120	9520120	
13000		8,65	6,70	4,42			9514130	9516130	9520130	
14000		9,30	7,20	4,74			9514140	9516140	9520140	
15000			7,85	5,06				9516150	9520150	
16000			8,34	5,38				9516160	9520160	
17000			8,84	5,70				9516170	9520170	
18000			9,34	6,02				9516180	9520180	
19000			9,84	6,33				9516190	9520190	
20000			10,33	6,65				9516200	9520200	
21000			10,83	6,97	3,81			9516210	9520210	9528210
22000			11,33	7,29	3,97			9516220	9520220	9528220
23000			11,83	7,61	4,13			9516230	9520230	9528230
24000			12,32	7,93	4,29			9516240	9520240	9528240
25000			12,82	8,25	4,46			9516250	9520250	9528250
26000			13,32	8,56	4,62			9516260	9520260	9528260
27000				8,88	4,78				9520270	9528270
28000				9,20	4,94				9520280	9528280
29000				9,52	5,11				9520290	9528290
30000				9,84	5,27				9520300	9528300
31000				10,16	5,43				9520310	9528310
32000				10,47	5,59				9520320	9528320
33000				10,79	5,76				9520330	9528330
34000				11,11	5,92				9520340	9528340
35000				11,43	6,08				9520350	9528350
36000				11,75	6,24				9520360	9528360
37000				12,07	6,41				9520370	9528370
38000				12,39	6,57				9520380	9528380
39000				12,70	6,73				9520390	9528390
40000				13,02	6,89				9520400	9528400
41000				13,34	7,05				9520410	9528410
42000				13,66	7,22				9520420	9528420
43000					7,38					9528430
44000					7,54					9528440
45000					7,70					9528450
46000					7,87					9528460
47000					8,03					9528470
48000					8,19					9528480
49000					8,35					9528490
50000					8,52					9528500

Volume (L)	Total length according to Ø and volume					Tank reference according to Ø and volume				
	Ø1200	Ø1400	Ø1600	Ø2000	Ø2800	Ø1200	Ø1400	Ø1600	Ø2000	Ø2800
51000					8,68					9528510
52000					8,84					9528520
53000					9,00					9528530
54000					9,17					9528540
55000					9,33					9528550
56000					9,49					9528560
57000					9,65					9528570
58000					9,81					9528580
59000					9,98					9528590
60000					10,14					9528600
61000					10,30					9528610
62000					10,46					9528620
63000					10,63					9528630
64000					10,79					9528640
65000					10,95					9528650
66000					11,11					9528660
67000					11,28					9528670
68000					11,44					9528680
69000					11,60					9528690
70000					11,76					9528700
71000					11,92					9528710
72000					12,09					9528720
73000					12,25					9528730
74000					12,41					9528740
75000					12,57					9528750

Manhole dimensions and references

H (mm)	Ø600	Ø800	Ø1000	Ø1200
150	9537061	9537081	9537101	9537121
250	9537062	9537082	9537102	9537122
500	9537063	9537083	9537103	9537123
750	9537064	9537084	9537104	9537124
1000	9537065	9537085	9537105	9537125



Anchor system

- **Cradles**

Anchors the tank to avoid and vertical rise due to hydrostatic pressure. For use underground or above ground

Reference	Cradle
9535100	Cradle for tank Ø1000
9535120	Cradle for tank Ø1200
9535140	Cradle for tank Ø1400
9535160	Cradle for tank Ø1600
9535200	Cradle for tank Ø2000
9535280	Cradle for tank Ø2800



- **Straps**

Anchors the tank to avoid any vertical rise due to hydrostatic pressure. For use underground or above ground.

Reference	Strap
6150539	Stap with ratchet 9ML
6150541	Stap with ratchet 12 ML



For other parts and accessories: refer to datasheets FT_PA01, FT_PA02...

