

# FIRE PROTECTION TANK

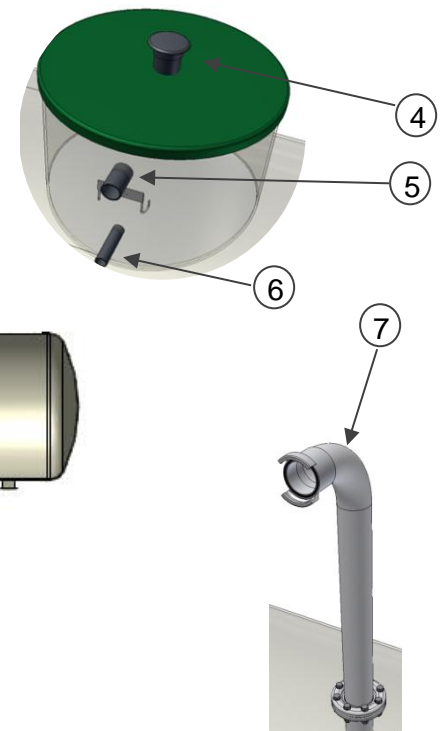
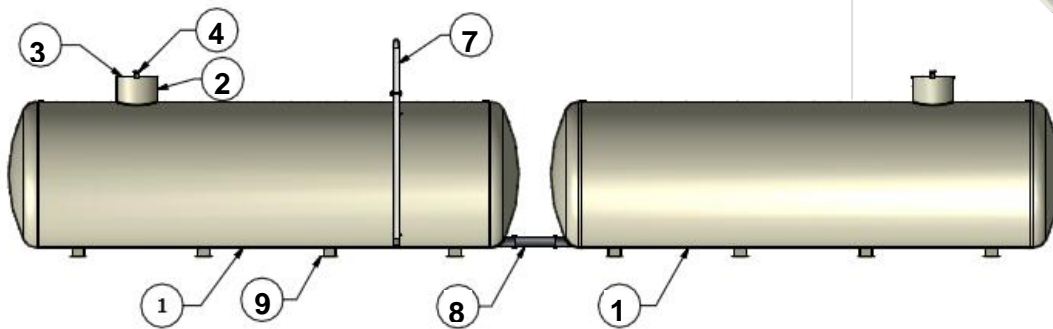
## Characteristics

- Fibreglass reinforced polyester (FRP)
- High mechanical strength
- From 30 to 60m<sup>3</sup> / Ø2000 to Ø2800
- Standard or custom
- Rust-proof, corrosion-proof
- Adaptable to all types of terrain (shallow aquifer, green space, mud slab, below ground)
- Underground or above ground, horizontal or vertical solution
- Several tanks can be joined together
- Lightweight material to facilitate handling and installation, modular configuration
- Installation above ground : TopCoat finish protects from external Aggressions
- Anchored by straps of FRP cradles

## Function

The city water or rainwater is collected in the storage tank (120m<sup>3</sup> minimum for a minimum of 2 hours)

In case of fire, the water is pumped via a suction pipe with integrated fire hose coupling with a minimum flow of 60m<sup>3</sup>/h



## Conforms to interministerial circular No. 465 of December 10, 1951

- (1) Storage tanks - 2x60m<sup>3</sup> recommended : 120m<sup>3</sup> minimum
- (2) Access hatch (manhole) with or without extension
- (3) Access hatch cover or permanent formwork, fall protection system
- (4) Ventilation system (Ø90mm)
- (5) Cable entry (Ø50mm)
- (6) City water or stormwater inlet (Ø40mm)
- (7) Suction pipe with screen - Ø110mm to ensure a flow of 60m<sup>3</sup>/h - with fire hose coupling and support crosspiece
- (8) Pair a minimum of 2 tanks to achieve the required storage volume
- (9) Cradle with holes for reinforcement hardware

## Applications

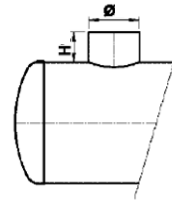
- Compliance / upgrading of existing building
- Protection of new building
- Rural areas / commercial areas / industrial sites / subdivisions / forest areas
- No fire protection system nearby

## Standard tank dimensions

Volume (L)	Total length according to Ø and volume		Tank reference according to Ø and volume	
	Ø2000	Ø2800	Ø2000	Ø2800
30000	9,84	5,27	9520300	9528300
31000	10,16	5,43	9520310	9528310
32000	10,47	5,59	9520320	9528320
33000	10,79	5,76	9520330	9528330
34000	11,11	5,92	9520340	9528340
35000	11,43	6,08	9520350	9528350
36000	11,75	6,24	9520360	9528360
37000	12,07	6,41	9520370	9528370
38000	12,39	6,57	9520380	9528380
39000	12,70	6,73	9520390	9528390
40000	13,02	6,89	9520400	9528400
41000	13,34	7,05	9520410	9528410
42000	13,66	7,22	9520420	9528420
43000		7,38		9528430
44000		7,54		9528440
45000		7,70		9528450
46000		7,87		9528460
47000		8,03		9528470
48000		8,19		9528480
49000		8,35		9528490
50000		8,52		9528500
51000		8,68		9528510
52000		8,84		9528520
53000		9,00		9528530
54000		9,17		9528540
55000		9,33		9528550
56000		9,49		9528560
57000		9,65		9528570
58000		9,81		9528580
59000		9,98		9528590
60000		10,14		9528600

## Manhole dimensions and references

H (mm)	Ø600	Ø800	Ø1000	Ø1200
150	9537061	9537081	9537101	9537121
250	9537062	9537082	9537102	9537122
500	9537063	9537083	9537103	9537123
750	9537064	9537084	9537104	9537124
1000	9537065	9537085	9537105	9537125



## Anchor system

- Cradles**

Anchors the tank to avoid and vertical rise due to hydrostatic pressure. For use underground or above ground

Reference	Cradle
9535100	Cradle for tank Ø1000
9535120	Cradle for tank Ø1200
9535140	Cradle for tank Ø1400
9535160	Cradle for tank Ø1600
9535200	Cradle for tank Ø2000
9535280	Cradle for tank Ø2800



- Straps**

Anchors the tank to avoid any vertical rise due to hydrostatic pressure. For use underground or above ground.

Reference	Strap
6150539	Stap with ratchet 9ML
6150541	Stap with ratchet 12 ML



For other parts and accessories: refer to datasheets FT\_PA01, FT\_PA02...

