

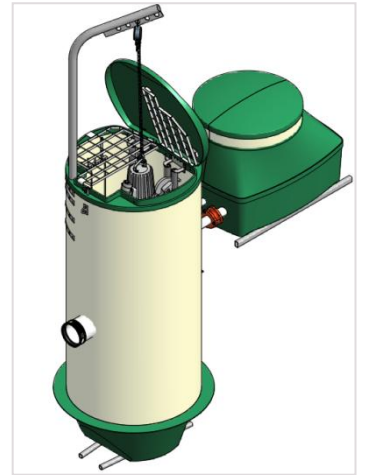
PUMPING STATION

RANGE TOP

Characteristics

- Fibreglass Reinforced Polyester (FRP)
- Height mechanical strength
- TOP bottom – self-cleaning
- Rust-proof, corrosion-proof
- Adaptable to all types of terrain (shallow aquifer, green space, mud slab, below ground)
- Lightweight material to facilitate handling and installation, modular configuration

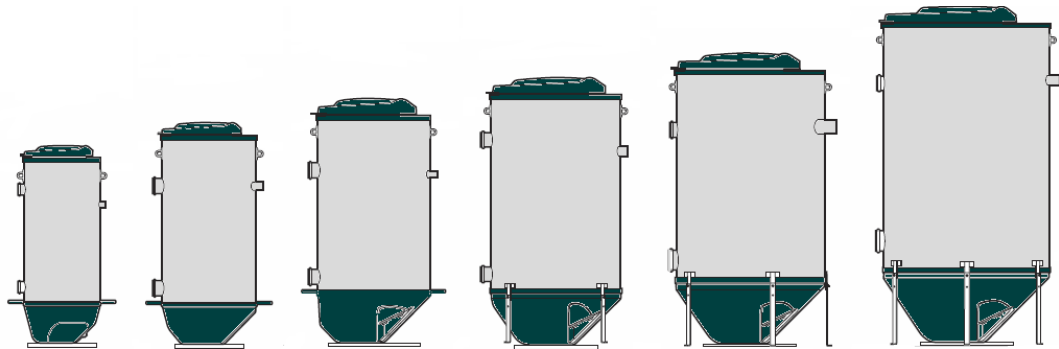
xylem
Let's Solve Water



> Ø800, Ø1000, Ø1200, Ø1400, Ø1600, Ø1800

> 1 or 2 pumps

> Height from 2 to 12m



STATION	TOP50	TOP65	TOP80	TOP100S	TOP 150S	TOP 150L
Ø	Ø800	Ø1000	Ø1200	Ø1400	Ø1600	Ø1800
Height	2 à 12 m	2 à 12 m	2 à 12 m	2 à 12 m	2 à 12 m	2 à 12 m
Nb of pump(s)	1	2	2	2	2	2
Discharge connexion	50	50, 65	65, 80	65, 80, 100	65, 80, 100, 150	65, 80, 100, 150

> Valves chamber : FRP

> Opening : Ø1000, Ø1400, Ø2000 and Ø2800

